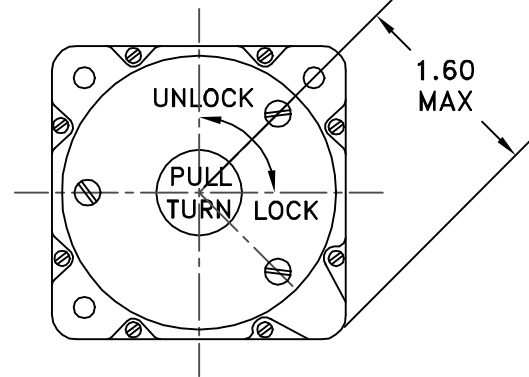
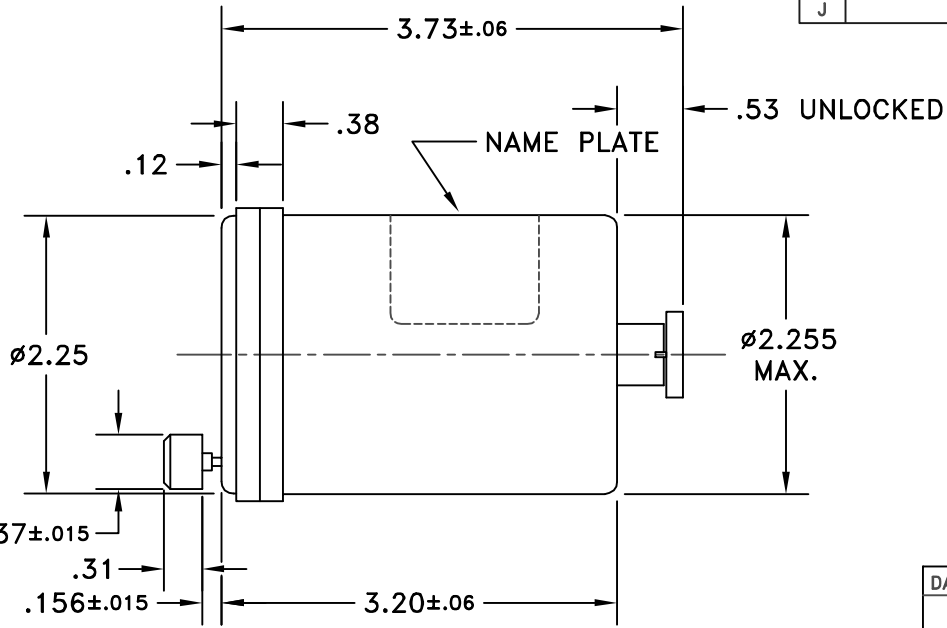
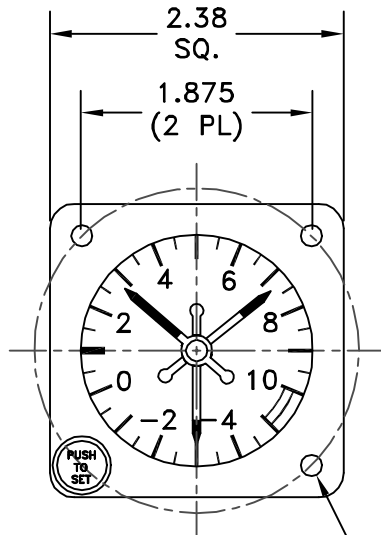
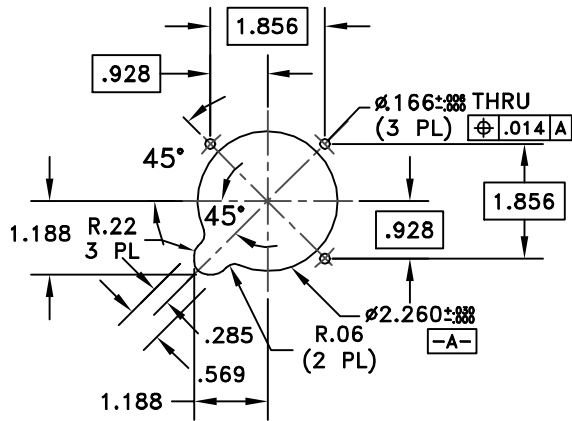


REVISIONS			
LTR	DESCRIPTION	DATE	APPROVED
H	CAD CONVERSION/SEE DCN	08/02/02	MP
J	SEE DCN	01/25/06	MP



Ø.170±.002 HOLE (3 PL)
ON Ø2.625 B.C. AS SHOWN



PANEL CUTOUT
SCALE: .5=1

APPLICATION	USED ON	NEXT ASSY

The information disclosed herein was originated by and is the property QED/Inc. and except for rights expressly granted to the United States Government, QED/Inc. reserves all patent, proprietary, design, use, sales, manufacturing and reproduction rights thereto.

DASH NO.	DIAL MARKINGS
BSC	BLACK BACKGROUND WHITE MARKINGS (SHOWN)
-1	BLACK BACKGROUND, WHITE MARKINGS, RED UNIT MARKINGS AT +4g & -1.76g
-2	BLACK BACKGROUND, WHITE MARKINGS, QED LOGO.
-3	BLACK BACKGROUND, WHITE MARKINGS, RED UNIT MARKINGS AT +2.9g & -1.16g
-4	BLACK BACKGROUND YELLOW MARKINGS

ITEM	QTY	DESCRIPTION	IDENT	PART NUMBER	REMARKS
LIST OF MATERIALS					
UNLESS OTHERWISE SPECIFIED DIMENSIONS ARE IN INCHES DECIMALS FRACTIONS		SIGNATURES DATE		QED/Inc. 2920 SOUTH HALLADAY STREET SANTA ANA, CALIFORNIA 92705	
X ± .XX ± .03 ANGLES ± 1°		BY MOLINA, A. 12/27/66		TITLE ACCELEROMETER TYPE B6	
.XXX ± .010		CKD D.G. 12/28/66			
MATL:		ENGR			
APPD		REVISED DUFFY 02/16/75			
FINISH		CAD CONV AFS 08/02/02		SIZE B	CODE IDENT NO. 24708
APPLICATION				DWG NO. 2117-800	
				SCALE 1:1	WT. 1 LB APPROX.
				SHEET 1 OF 1	

1. REF: SPEC. MIL-A-5885, ACCELEROMETER AIRCRAFT, TYPE B6
NOTES