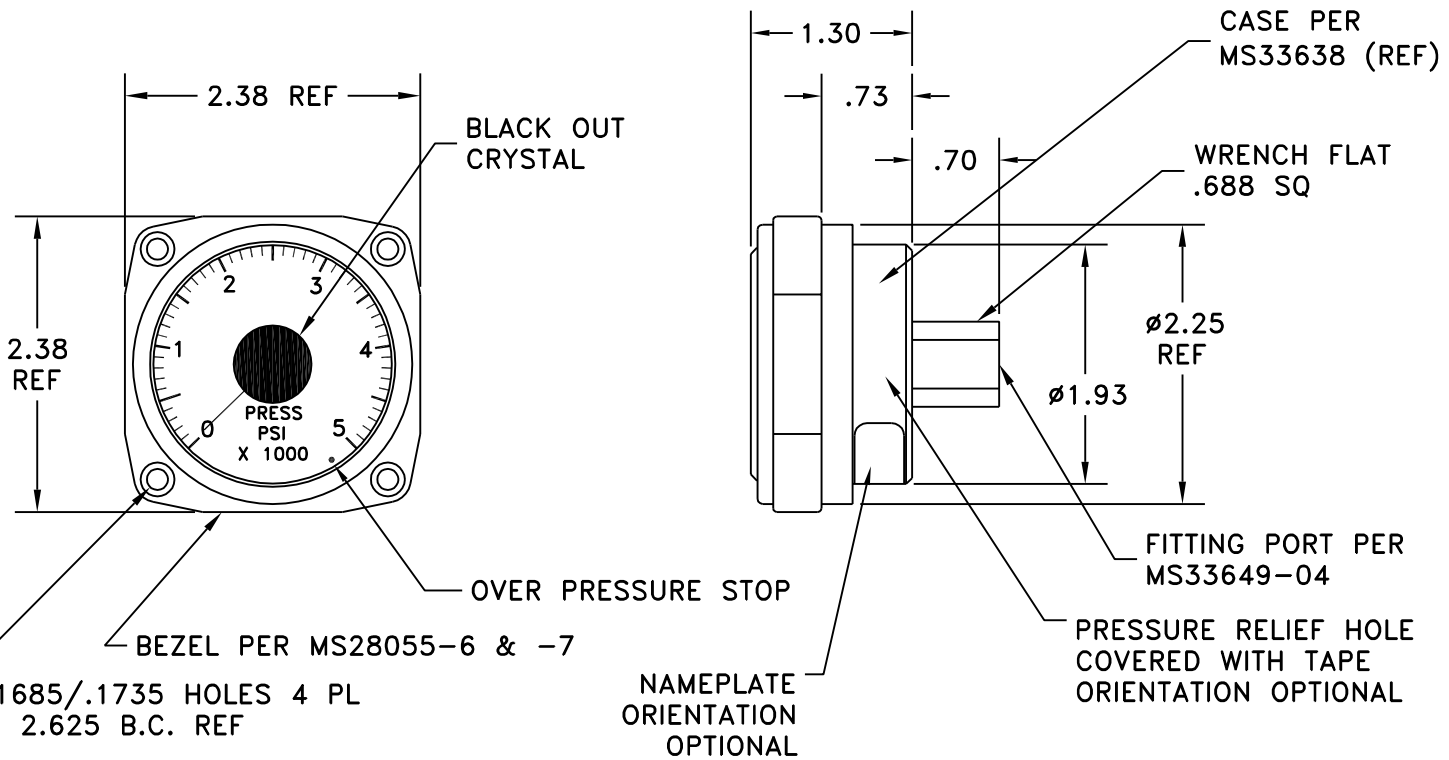


REVISIONS			
LTR	DESCRIPTION	DATE	APPROVED



### SPECIFICATIONS

1. PRESSURE RANGE: 0 - 5000 PSI
2. ACCURACY: 0 - 999±75 PSI, 1000 -1999 ±100 PSI, 2000 UP ±125 PSI
3. OVER PRESSURE: 6000 PSI

### MATERIALS

1. CASE: ALUMINUM ALLOY, BLACK ANODIZED
2. FITTING: 303 STAINLESS STEEL
3. BOURDON TUBE: INCONEL X-750
4. CRYSTAL: TEMPERED GLASS
5. DIAL MARKINGS: WHITE MARKINGS ON BLACK BACKGROUND

### DESIGN CRITERIA

1. AMBIENT TEMP: -65°F TO +160°F

The information disclosed herein was originated by and is the property QED/inc. and except for rights expressly granted to the United States Government, QED/inc. reserves all patent, proprietary, design, use, sales, manufacturing and reproduction rights thereto.

UNLESS OTHERWISE SPECIFIED DIMENSIONS ARE IN INCHES DECIMALS      FRACTIONS X ±                      ± .XX ± .03      ANGLES ± .XXX ± .010      ±		SIGNATURES		DATE	<b>QED/inc.</b> 2920 SOUTH HALLADAY STREET SANTA ANA, CALIFORNIA 92705
		BY		2/01	
MATL:   FINISH		CKD			TITLE   <b>PRESSURE GAUGE</b>
		ENGR			
		APPD			
NEXT ASSY	USED ON	SIZE	CODE IDENT NO.	DWG NO.	
APPLICATION		B	24708	2250 SERIES TYPE BF1	
		SCALE	1=1	WT.	SHEET 1 OF 1