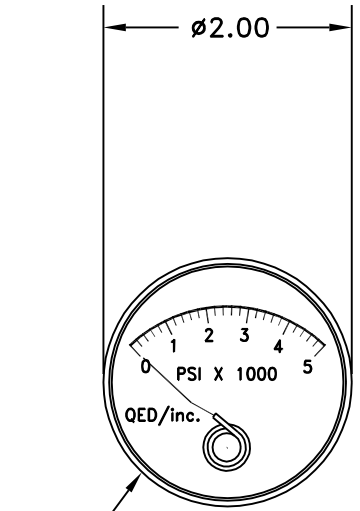
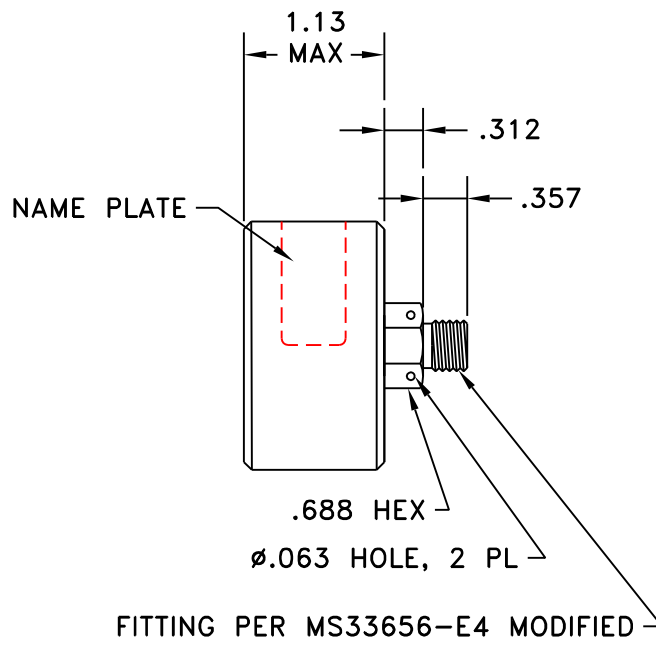


REVISIONS			
LTR	DESCRIPTION	DATE	APPROVED



PRESS. RELIEF HOLE
 $\phi .182$ COVERED WITH
 VINYL TAPE



SPECIFICATIONS

1. ACCURACY: $\pm 2\%$ OF FULL SCALE
2. PROOF PRESSURE: 7000 PSI
3. DIAL MARKINGS: BLACK CHARACTERS ON A CLEAR ANODIZED BACKGROUND, 200 PSI INCREMENTS.

MATERIALS

1. CASE: ALUMINUM ALLOY
2. FITTING: 303 CRES.
3. BOURDON TUBE: INCONEL 750X
4. CRYSTAL: ACRYLIC

DESIGN CRITERIA

1. BURST PRESSURE: 16000 PSI, MINIMUM

The information disclosed herein was originated by and is the property of QED/inc. and except for rights expressly granted to the United States Government, QED/inc. reserves all patent, proprietary, design, use, sales, manufacturing and reproduction rights thereto.

NEXT ASSY	USED ON
APPLICATION	

ITEM	QTY	DESCRIPTION	IDENT	PART NUMBER	REMARKS
LIST OF MATERIALS					
UNLESS OTHERWISE SPECIFIED DIMENSIONS ARE IN INCHES DECIMALS FRACTIONS X ± .03 ± .XXX ± .010 ± 1'		SIGNATURES	DATE	QED/inc. 2920 SOUTH HALLADAY STREET SANTA ANA, CALIFORNIA 92705	
		BY	2/01		
MATL:		CKD		TITLE PRESSURE GAUGE	
		ENGR			
		APPD			
FINISH		SIZE	CODE IDENT NO.	DWG NO.	2000 SERIES TYPE BF2
		B	24708		
		SCALE	FULL	WT.	SHEET 1 OF 1