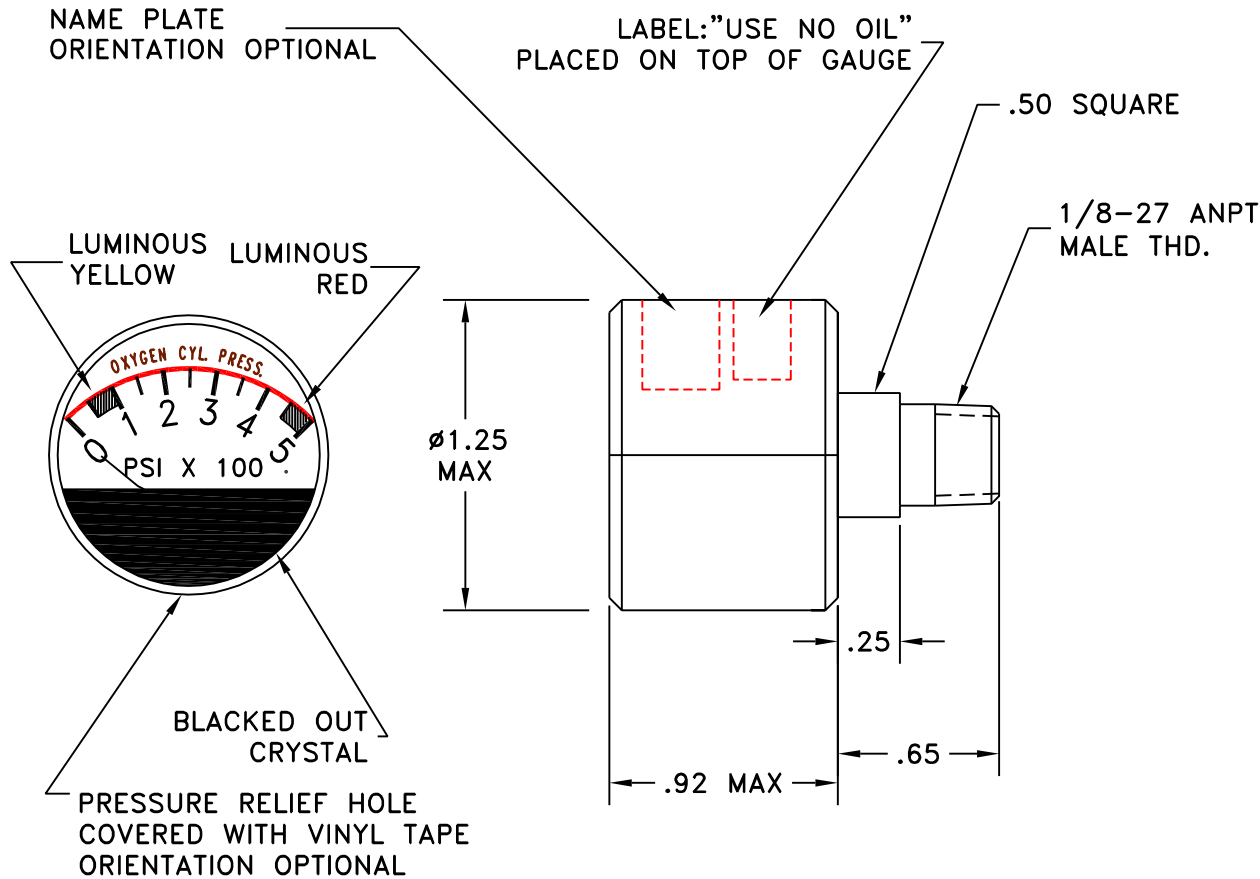


REVISIONS			
LTR	DESCRIPTION	DATE	APPROVED



SPECIFICATIONS

1. ACCURACY: ± 4% OF FULL SCALE
2. PROOF PRESSURE: 750 PSI
3. PRESSURE GAUGE SHALL BE FREE OF OIL & OTHER CONTAMINANTS & SHALL BE SUITABLE FOR USE WITH OXYGEN EQUIPMENT

MATERIALS

1. CASE: ALUM. ALLOY, BLACK ANODIZED
2. FITTING: 303 CRES, PASSIVATED
3. BOURDON TUBE: INCONEL X-750
4. CRYSTAL: ACRYLIC
5. DIAL: ALUMINUM, BLACK ANODIZED
6. DIAL MARKINGS: LUMINOUS YELLOW LETTERS, NUMBERS & INDICES WITH LUMINOUS YELLOW BAND FROM 50 TO 100 PSI & LUMINOUS RED BAND FROM 450 TO 500 PSI
7. POINTER: LUMINOUS YELLOW

DESIGN CRITERIA

1. BURST PRESSURE: 1000 PSI MINIMUM

The information disclosed herein was originated by and is the property QED/inc. and except for rights expressly granted to the United States Government, QED/inc. reserves all patent, proprietary, design, use, sales, manufacturing and reproduction rights thereto.

NEXT ASSY	USED ON
APPLICATION	

UNLESS OTHERWISE SPECIFIED DIMENSIONS ARE IN INCHES DECIMALS FRACTIONS .X ± .XX ± .03 ANGLES .XXX ± .010 ±	SIGNATURES	DATE	QED/inc. 2920 SOUTH HALLADAY STREET SANTA ANA, CALIFORNIA 92705		
	BY	2/01	TITLE		
	CKD		PRESSURE GAUGE		
	ENGR				
MATL:	ENGR		SIZE	CODE IDENT NO.	DWG NO.
FINISH	APPD		B	24708	1218 SERIES TYPE BF4
			SCALE	WT.	SHEET 1 OF 1
			2=1		