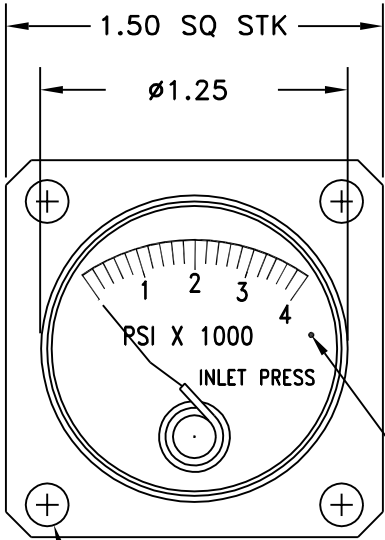
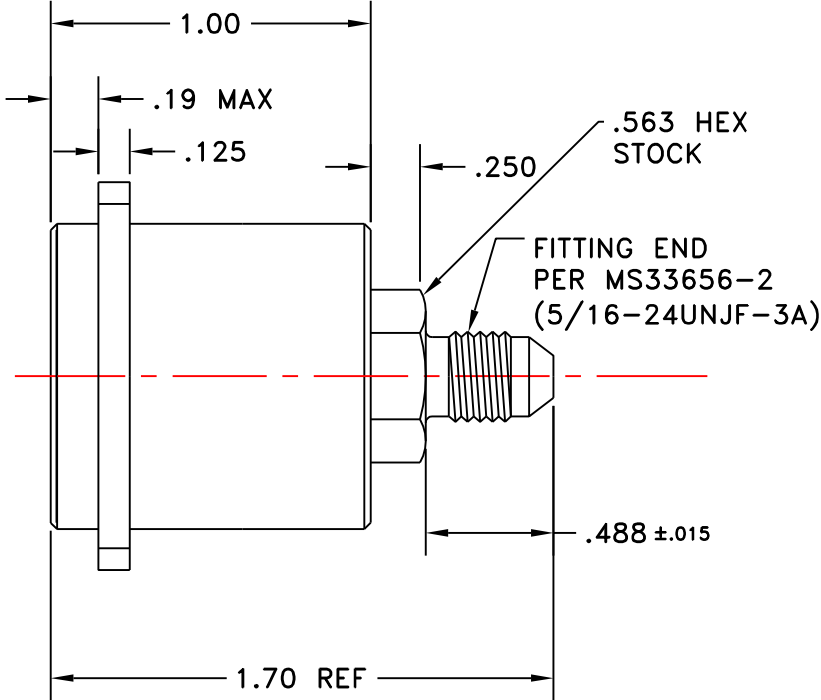


REVISIONS			
LTR	DESCRIPTION	DATE	APPROVED



POINTER STOP

.170 DIA HOLE 4 PLACES ON 1.656 DIA B.C.



SPECIFICATIONS

1. PRESSURE RANGE: 0 - 4000 PSI
2. PROOF PRESSURE: 6000 PSI
3. ACCURACY: ± 200 PSI

MATERIALS

1. CASE: ALUMINUM ALLOY, BLACK ANODIZED
2. FITTING: 303 CRES
3. BOURDON TUBE: INCONEL X-750
4. CRYSTAL: TEMPERED GLASS

DESIGN CRITERIA

1. OPERATING TEMPERATURE: -65°F TO +275°F
2. OPERATING MEDIA: AIR OR NITROGEN

FEATURES

1. DIAL: ALUMINUM, PAINTED WHITE
2. DIAL MARKINGS: BLACK

The information disclosed herein was originated by and is the property of QED/inc. and except for rights expressly granted to the United States Government, QED/inc. reserves all patent, proprietary, design, use, sales, manufacturing and reproduction rights thereto.

UNLESS OTHERWISE SPECIFIED DIMENSIONS ARE IN INCHES DECIMALS FRACTIONS .X ± .03 ANGLES ± .XXX ± .010 ±		SIGNATURES		DATE	QED/inc. 2920 SOUTH HALLADAY STREET SANTA ANA, CALIFORNIA 92705
		BY	2/01	TITLE	
MATERIALS		ENGR	APPD	PRESSURE GAUGE	
FINISH				SIZE	CODE IDENT NO.
APPLICATION				B	24708
				DWG NO.	1218 SERIES TYPE BF3
				SCALE	NONE
				WT.	
				SHEET	1 OF 1