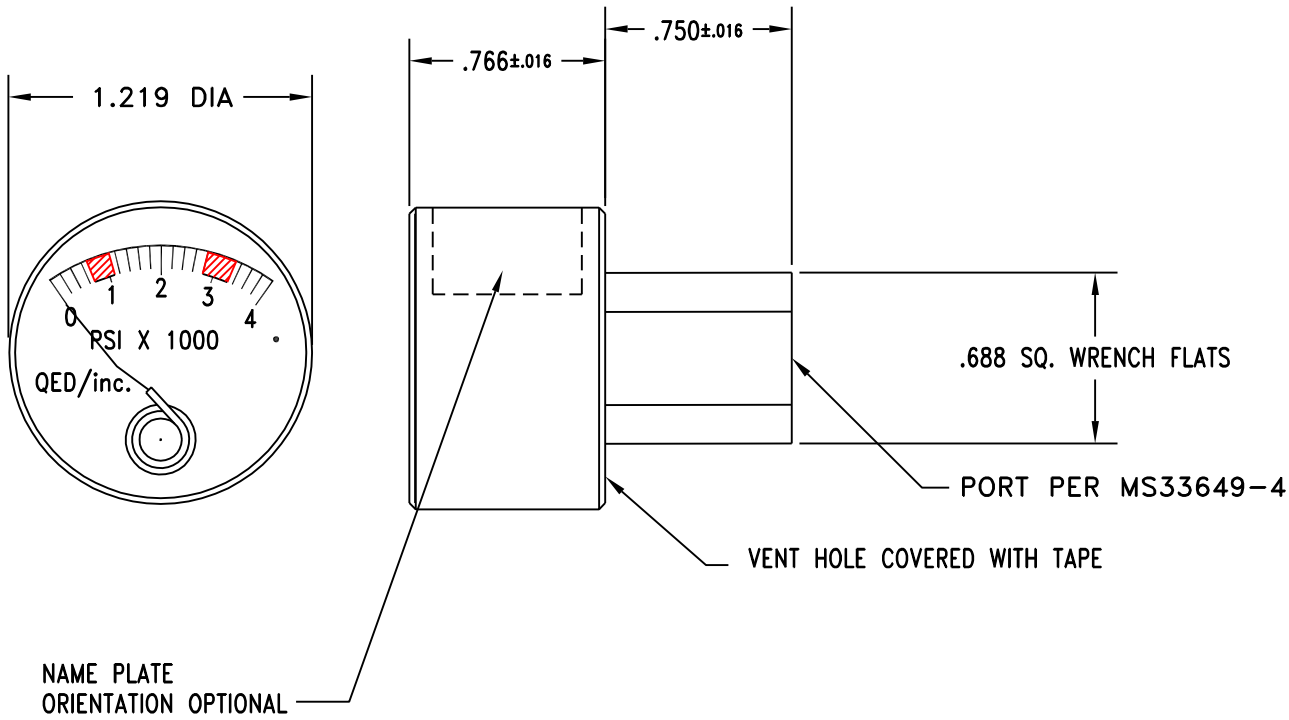


REVISIONS			
LTR	DESCRIPTION	DATE	APPROVED



SPECIFICATIONS

1. ACCURACY: ± 160 PSI
2. PROOF PRESSURE: 5400 PSI
3. FLUID: DRY AIR, DRY NITROGEN, OR HYDRAULIC FLUID PER MIL-H-5606

MATERIALS

1. CASE: ALUMINUM ALLOY, ANODIZED BLACK
2. FITTING: 303 CRES
3. SPACER: ALUMINUM ALLOY, ANODIZED BLACK
4. BOURDON TUBE: INCONEL X-750 PER AMS-5582
5. DIAL MARKINGS: BLACK CHARACTERS, COLOR 37038 OR EQUIVALENT; WHITE BACKGROUND, COLOR 37875 OR EQUIVALENT; GREEN RADIALS, COLOR 38901 OR EQUIVALENT (FROM 700 TO 1100 PSI AND FROM 2800 TO 3300 PSI), COLORS PER FED-STD-595
6. CRYSTAL: TEMPERED GLASS

CRITERIA

1. BURST: 12000 PSI (MINIMUM)
2. AMBIENT TEMP: -65°F TO +250°F

NAME PLATE ORIENTATION OPTIONAL

The information disclosed herein was originated by and is the property of QED/inc. and except for rights expressly granted to the United States Government, QED/inc. reserves all patent, proprietary, design, use, sales, manufacturing and reproduction rights thereto.

NEXT ASSY	USED ON
APPLICATION	

UNLESS OTHERWISE SPECIFIED DIMENSIONS ARE IN INCHES DECIMALS FRACTIONS .X ± .03 ANGLES ± .XXX ± .010 ±	SIGNATURES	DATE	QED/inc. 2920 SOUTH HALLADAY STREET SANTA ANA, CALIFORNIA 92705		
	BY	2/01	TITLE PRESSURE GAUGE		
	CKD		SIZE CODE IDENT NO. DWG NO. B 24708 1218 SERIES TYPE BF2		
	ENGR		SCALE 2=1 WT. SHEET 1 OF 1		
MATL: SEE SPECS	APPD				
FINISH SEE SPECS					