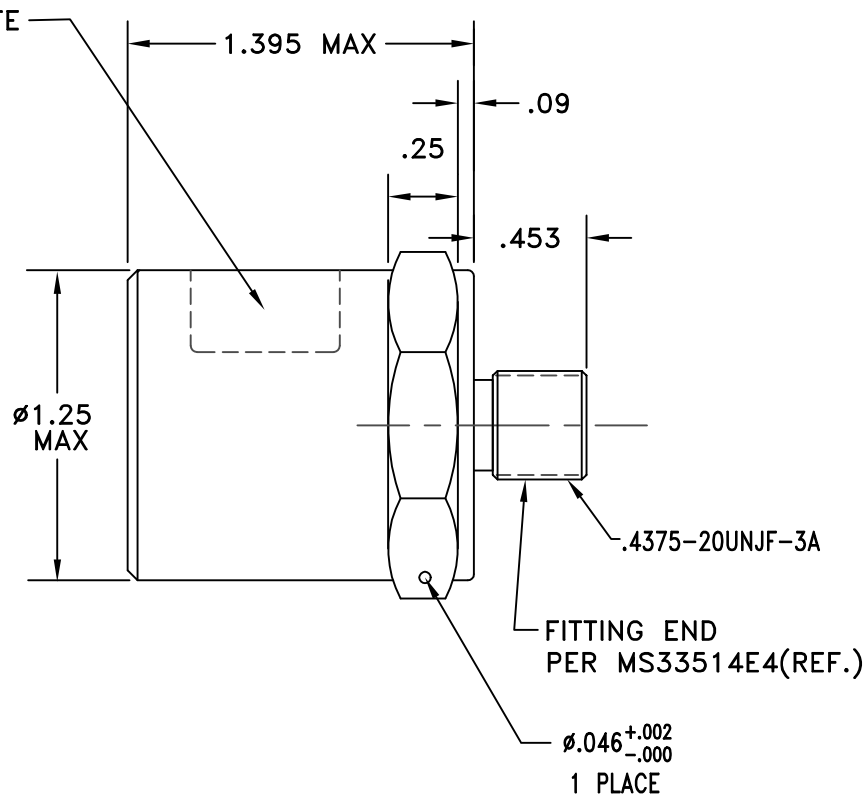


REVISIONS			
LTR	DESCRIPTION	DATE	APPROVED



### SPECIFICATIONS

1. ACCURACY:  $\pm 100$  PSIG BETWEEN 0 AND 8000 PSIG
2. PROOF PRESSURE: 10800 PSIG
3. DIAL RANGE: 0 TO 8000 PSIG
4. APPLY QED # 86-004-00 TO COIL
5. ACCEPTANCE TEST PER QED REPORT NUMBER 100601
6. SERIALIZE USING PERMANENT MARKING METHOD.

### MATERIALS

1. CASE: 303 CRES, PASSIVATED PER QQ-P-35
2. FITTING: 17-4PH, PASSIVATED PER QQ-P-35  
HEAT TREATED PER H-1075
3. BOURDON TUBE: INCONEL X-750
4. CRYSTAL: TEMPERED GLASS
5. DIAL: ALUMINUM ALLOY, CLEAR ANODIZED  
BLACK FIGURES ON WHITE BACKGROUND
6. SHRINK TUBING: TEFLON PER MIL-I-23053/5-201C  
(CLASS II, CLEAR)

### CRITERIA

1. BURST PRESSURE: 15000 PSIG
2. WEIGHT: .20 POUNDS MAXIMUM
3. TEMPERATURE: OPERATING =  $-40^{\circ}$  TO  $+120^{\circ}$ F  
NON-OPERATING =  $-65^{\circ}$  TO  $+185^{\circ}$ F

SHRINK TUBING  
PRESSURE RELIEF HOLE COVERED WITH ALUMINIZED MYLAR TAPE

The information disclosed herein was originated by and is the property of QED/inc. and except for rights expressly granted to the United States Government, QED/inc. reserves all patent, proprietary, design, use, sales, manufacturing and reproduction rights thereto.

UNLESS OTHERWISE SPECIFIED DIMENSIONS ARE IN INCHES DECIMALS FRACTIONS X ± ± .XX ± ± ANGLES ± .XXX ± ±		SIGNATURES		DATE	QED/inc. 2920 SOUTH HALLADAY STREET SANTA ANA, CALIFORNIA 92705
		BY		2/01	
		CKD			TITLE <b>PRESSURE GAUGE</b>
		ENGR			
		APPD			
MATL:					SIZE <b>B</b>
FINISH					
NEXT ASSY	USED ON				CODE IDENT NO. <b>24708</b>
APPLICATION					DWG NO. <b>1218 SERIES TYPE BF1</b>
					SCALE 2=1
					WT.
					1 OF 1