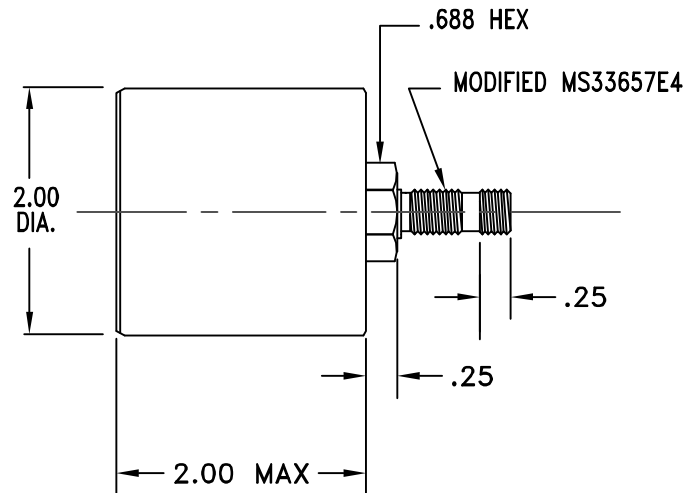
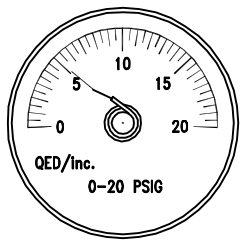


REVISIONS			
LTR	DESCRIPTION	DATE	APPROVED



SPECIFICATIONS

1. PRESSURE RANGE: 0 TO 20 PSI.
2. OVER PRESSURE: 60 PSI.
3. ACCURACY: ± 0.5 PSI

MATERIALS

1. CASE: ALUM. ALLOY, ANODIZED BLACK
2. FITTING: STAINLESS STEEL (303)
3. BOURDON TUBE: INCONEL X 750
4. CRYSTAL: ACRYLIC
5. DIAL: ALUM. ALLOY, BLACK CHARACTERS ON WHITE BACKGROUND

THIS DOCUMENT IS THE PROPERTY OF QED/INC. AND IS CONVEYED WITH THE EXPRESS CONDITION THAT IT AND THE INFORMATION CONTAINED IN IT ARE NOT TO BE USED, DISCLOSED, OR REPRODUCED IN WHOLE OR IN PART, FOR ANY PURPOSE WITHOUT THE EXPRESS WRITTEN CONSENT OF QED/INC., AND THAT NO RIGHT IS GRANTED TO DISCLOSE OR SO USE ANY INFORMATION CONTAINED IN SAID DOCUMENT. THIS DOCUMENT MAY CONTAIN INFORMATION SUBJECT TO THE ITAR OR THE EAR. THIS INFORMATION MAY NOT BE EXPORTED, RELEASED, OR DISCLOSED TO FOREIGN NATIONALS OR NON-U.S. PERSONS WITHOUT FIRST COMPLYING WITH THE EXPORT REQUIREMENTS OF THE ITAR AND EAR.

UNLESS OTHERWISE SPECIFIED
DIMENSIONS ARE IN INCHES
DECIMALS FRACTIONS
.X \pm $\pm 1/64$
.XX \pm .03 ANGLES
.XXX \pm .010 $\pm 2'$

NEXT ASSY	USED ON
APPLICATION	

SIGNATURES	DATE
BY	2/01
CKD	
ENGR	
APPD	
MATL:	
FINISH	

QED/inc.		2920 SOUTH HALLADAY STREET SANTA ANA, CALIFORNIA 92705	
TITLE			
PRESSURE GAUGE			
SIZE	CODE IDENT NO.	DWG NO.	
B	24708	2000 SERIES TYPE BF1	
SCALE	1=1	WT.	SHEET 1 OF 1