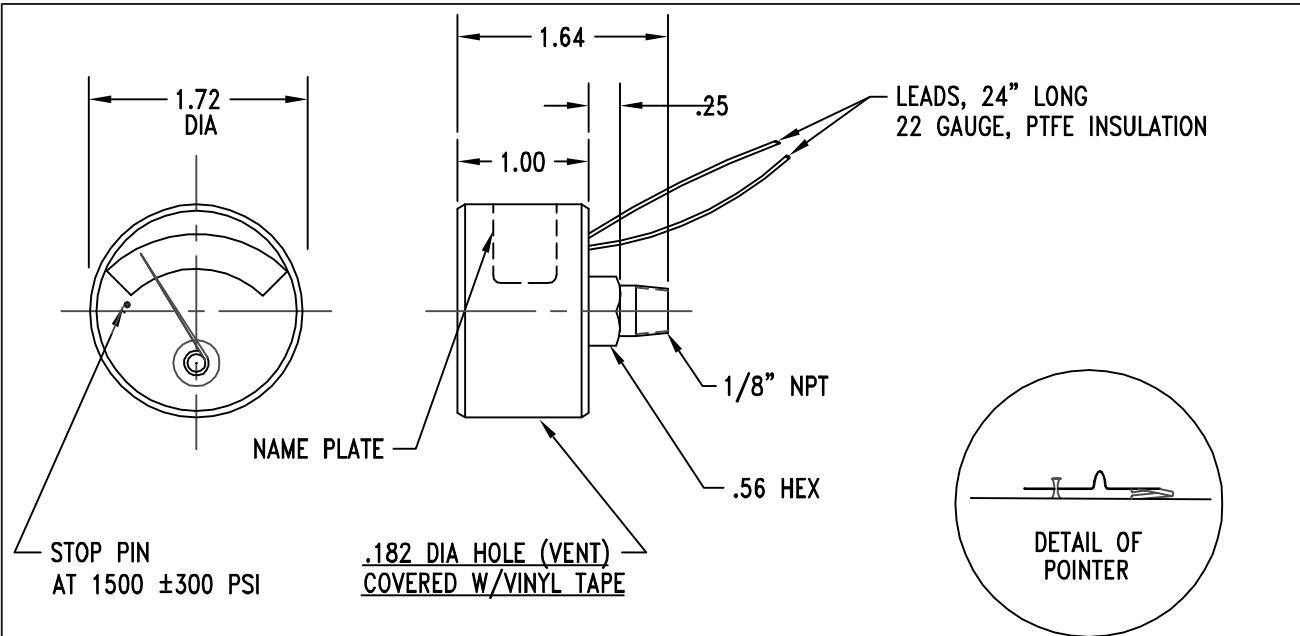


REVISIONS			
LTR	DESCRIPTION	DATE	APPROVED



SPECIFICATIONS

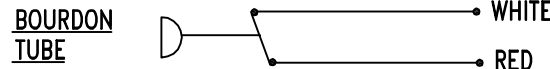
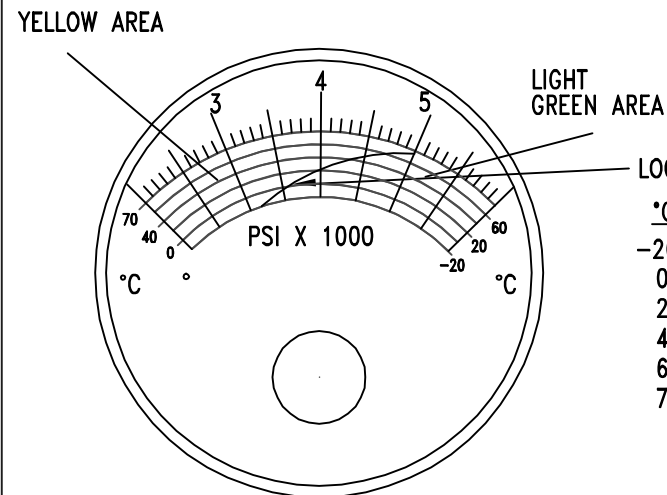
1. PRESSURE RANGE: 2000 TO 6000 PSI
2. PROOF PRESSURE: 7000 PSI
3. ACCURACY: ± 200 PSI

MATERIALS

1. CASE: ALUMINUM ALLOY, BLACK ANODIZED
2. FITTING: 303 CRES
3. BOURDON TUBE: INCONEL X-750
4. "C" TUBE: NI SPAN C
5. CRYSTAL: ACRYLIC
6. DIAL: ALUMINUM ALLOY

DESIGN CRITERIA

1. OPERATING TEMPERATURE RANGE:
-40°F TO +194°F (-40°C TO +90°C)
2. VIBRATION: PER MIL-E-5272C, PROC XII
3. SHOCK: 100g's
4. SWITCH:
 - A. ELECTRICAL RATING: 17 TO 30 VDC
 - B. SWITCH CLOSING: 2500 ± 200 PSI
 - C. SWITCH OPENING: 3500 MAX ON INCREASING PRESSURE
 - D. MICRO SWITCH RATING: 3 AMP RESISTIVE LOAD @ SEA LEVEL



**ELECTRICAL SCHEMATIC
(SHOWN UNPRESSURIZED)**

THIS DOCUMENT IS THE PROPERTY OF QED/INC. AND IS CONVEYED WITH THE EXPRESS CONDITION THAT IT AND THE INFORMATION CONTAINED IN IT ARE NOT TO BE USED, DISCLOSED, OR REPRODUCED IN WHOLE OR IN PART, FOR ANY PURPOSE WITHOUT THE EXPRESS WRITTEN CONSENT OF QED/INC., AND THAT NO RIGHT IS GRANTED TO DISCLOSE OR SO USE ANY INFORMATION CONTAINED IN SAID DOCUMENT. THIS DOCUMENT MAY CONTAIN INFORMATION SUBJECT TO THE ITAR OR THE EAR. THIS INFORMATION MAY NOT BE EXPORTED, RELEASED, OR DISCLOSED TO FOREIGN NATIONALS OR NON-U.S. PERSONS WITHOUT FIRST COMPLYING WITH THE EXPORT REQUIREMENTS OF THE ITAR AND EAR.

°C	PSI
-20	3143
0	3458
20	3880
40	4323
60	4793
70	5015

NEXT ASSY	USED ON
APPLICATION	

UNLESS OTHERWISE SPECIFIED DIMENSIONS ARE IN INCHES DECIMALS FRACTIONS .X ± .XX ±.03 ANGLES .XXX± ±	SIGNATURES		DATE	QED/inc. 2920 SOUTH HALLADAY STREET SANTA ANA, CALIFORNIA 92705
	BY		2/01	
MATL:	CKD			TITLE PRESSURE GAUGE / SWITCH
	ENGR			
FINISH	APPD			SIZE
				CODE IDENT NO. B 24708
				DWG NO. 1700 SERIES TYPE SW1
				SCALE FULL WT. SHEET 1 OF 1