

REVISIONS			
LTR	DESCRIPTION	DATE	APPROVED

### SPECIFICATIONS

1. PRESSURE RANGE: 0 - 3000 PSI
2. ACCURACY: ±2% OF FULL SCALE
3. PROOF PRESSURE: 3300 PSI

### MATERIALS

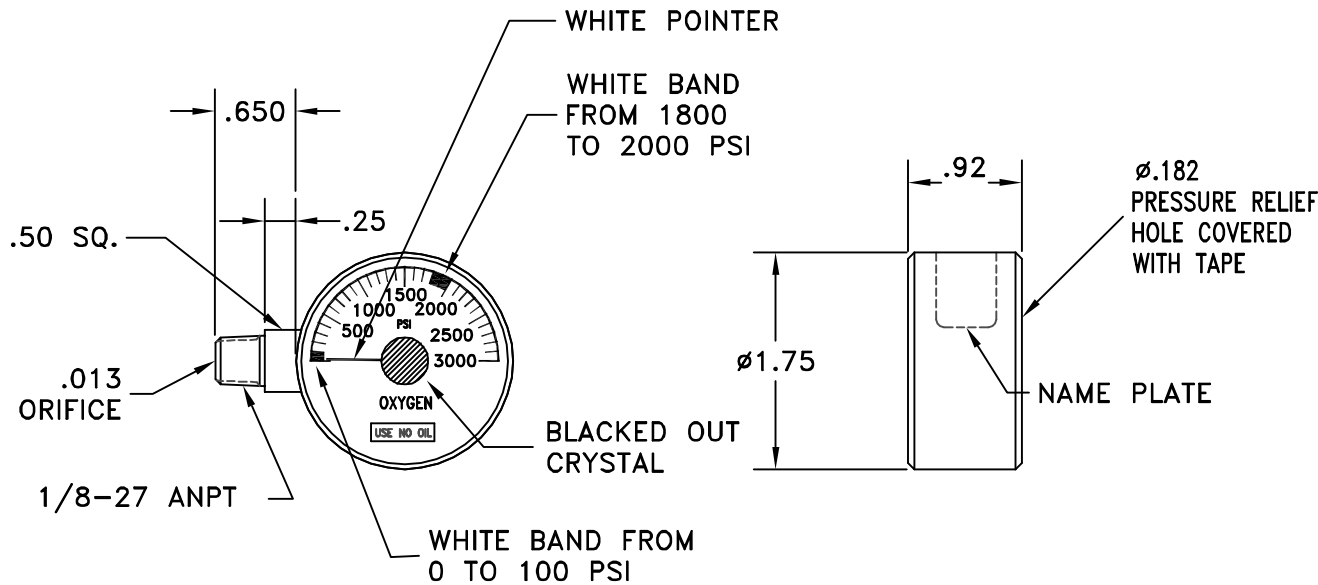
1. CASE: ALUMINUM ALLOY, BLACK ANODIZED
2. FITTING: 303 CRES
3. BOURDON COIL: INCONEL X-750
4. CRYSTAL: ACRYLIC

### DESIGN CRITERIA

1. TEMPERATURE RANGE: -65°F TO 160°F
2. BURST PRESSURE: 6000 PSI MINIMUM
3. USE: FOR GASEOUS OXYGEN SERVICE

### FEATURES

1. DIAL: ALUMINUM ALLOY, PAINTED GREEN (CORRESPONDS TO FED STD 595, NO. 24108)
2. DIAL MARKING COLORS:  
"USE NO OIL", RED LETTERS (CORRESPONDS TO FED STD 595, NO. 11136) ON WHITE BACKGROUND  
HASH MARKS, NUMERALS, AND LETTERS MATTE WHITE (CORRESPONDS TO FED STD 595, NO. 37875)  
WHITE BANDS FROM 0-100 PSI & 1800-2000 PSI
3. SEAL IN POLY BAG AND IDENTIFY WITH "CLEANED FOR OXYGEN SERVICE"
4. POINTER: PAINTED WHITE



THIS DOCUMENT IS THE PROPERTY OF QED/INC. AND IS CONVEYED WITH THE EXPRESS CONDITION THAT IT AND THE INFORMATION CONTAINED IN IT ARE NOT TO BE USED, DISCLOSED, OR REPRODUCED IN WHOLE OR IN PART, FOR ANY PURPOSE WITHOUT THE EXPRESS WRITTEN CONSENT OF QED/INC., AND THAT NO RIGHT IS GRANTED TO DISCLOSE OR SO USE ANY INFORMATION CONTAINED IN SAID DOCUMENT. THIS DOCUMENT MAY CONTAIN INFORMATION SUBJECT TO THE ITAR OR THE EAR. THIS INFORMATION MAY NOT BE EXPORTED, RELEASED, OR DISCLOSED TO FOREIGN NATIONALS OR NON-U.S. PERSONS WITHOUT FIRST COMPLYING WITH THE EXPORT REQUIREMENTS OF THE ITAR AND EAR.

UNLESS OTHERWISE SPECIFIED DIMENSIONS ARE IN INCHES DECIMALS .XX ± .03 .XXX ± .010	SIGNATURES		DATE		<b>QED/Inc.</b> 2920 SOUTH HALLADAY STREET SANTA ANA, CALIFORNIA 92705	
	BY		2/01		TITLE <h2>PRESSURE GAUGE</h2>	
	CKD					
	ENGR					
MATL:		APPD				
FINISH						
NEXT ASSY		USED ON				
APPLICATION						
SIZE	CODE IDENT NO.	DWG NO.				
B	24708	1700 SERIES TYPE SF2				
SCALE	FULL	WT.	SHEET		1 OF 1	