

REVISIONS			
LTR	DESCRIPTION	DATE	APPROVED

### SPECIFICATIONS

1. ACCURACY: ±5% OF FULL SCALE
2. PRESSURE RANGE: 0-110 PSI
3. OVER PRESSURE: 220 PSI
4. FLUID MEDIA: SKYDROL
5. TEST: QED ATP 100601

### MATERIALS

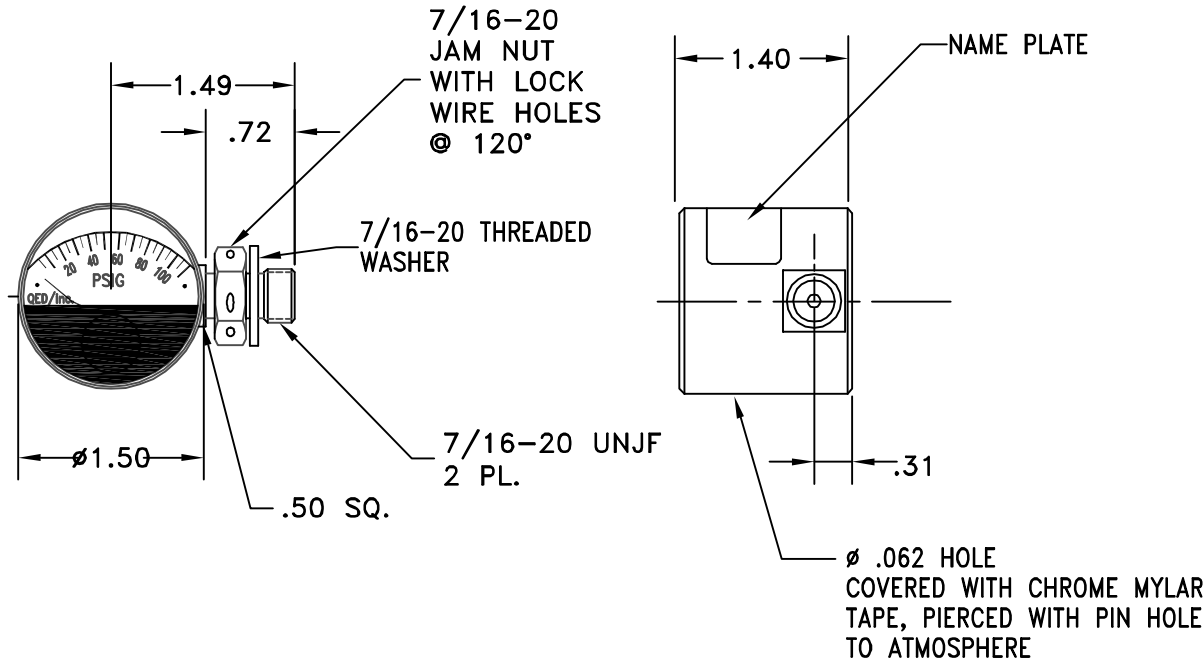
1. CASE: ALUMINUM ALLOY, BLACK ANODIZED
2. FITTING: 303 CRES.
3. BOURDON COIL: INCONEL X 750
4. CRYSTAL: TEMPERED GLASS SEALED WITH RTV
5. JAM NUT: CRES
6. THREADED WASHER: CRES

### DESIGN CRITERIA

1. VIBRATION: PER MIL-E-5272C, PROCEDURE XII
2. MINIMUM BURST PRESSURE: 330 PSI
3. SURVIVAL TEMPERATURE RANGE: -54°C TO 120°C
4. OPERATING TEMPERATURE RANGE: -54°C TO 110°C

### FEATURES

1. DIAL: ALUMINUM, CLEAR ANODIZED, PAINTED WHITE
2. DIAL MARKINGS: BLACK
3. DAMPENING POST: TEFLON, FIXED
4. APPLY QED #86-004-00 TO COIL
5. CRYSTAL SEALED WITH RTV.



THIS DOCUMENT IS THE PROPERTY OF QED/INC. AND IS CONVEYED WITH THE EXPRESS CONDITION THAT IT AND THE INFORMATION CONTAINED IN IT ARE NOT TO BE USED, DISCLOSED, OR REPRODUCED IN WHOLE OR IN PART, FOR ANY PURPOSE WITHOUT THE EXPRESS WRITTEN CONSENT OF QED/INC., AND THAT NO RIGHT IS GRANTED TO DISCLOSE OR SO USE ANY INFORMATION CONTAINED IN SAID DOCUMENT. THIS DOCUMENT MAY CONTAIN INFORMATION SUBJECT TO THE ITAR OR THE EAR. THIS INFORMATION MAY NOT BE EXPORTED, RELEASED, OR DISCLOSED TO FOREIGN NATIONALS OR NON-U.S. PERSONS WITHOUT FIRST COMPLYING WITH THE EXPORT REQUIREMENTS OF THE ITAR AND EAR.

UNLESS OTHERWISE SPECIFIED DIMENSIONS ARE IN INCHES DECIMALS

.XX ± .03  
.XXX ± .010

NEXT ASSY	USED ON
APPLICATION	

MATL:

FINISH

SIGNATURES	DATE
BY	2/01
CKD	
ENGR	
APPD	

**QED/inc.** 2920 SOUTH HALLADAY STREET  
SANTA ANA, CALIFORNIA 92705

TITLE			
<b>PRESSURE GAUGE</b>			
SIZE	CODE IDENT NO.	DWG NO.	
<b>B</b>	<b>24708</b>	<b>1500 SERIES TYPE SF</b>	
SCALE	1=1	WT.	SHEET 1 OF 1