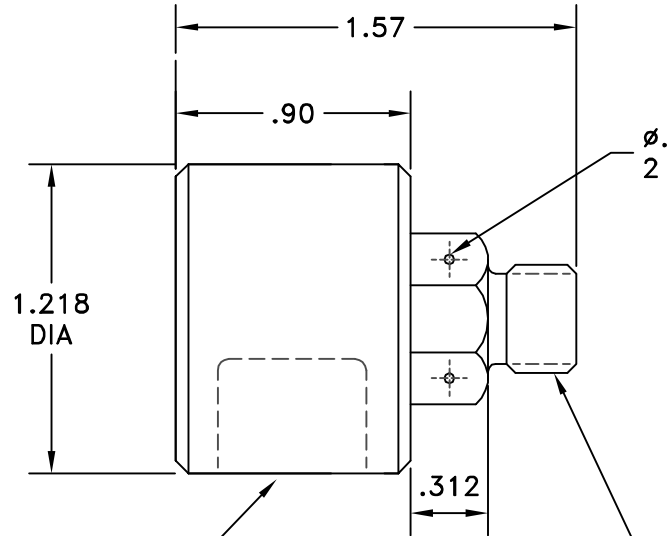
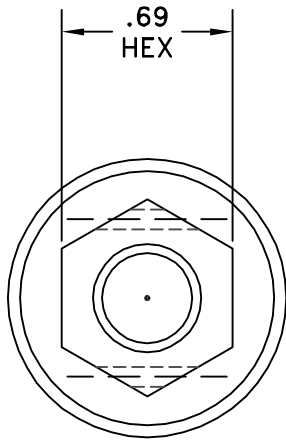


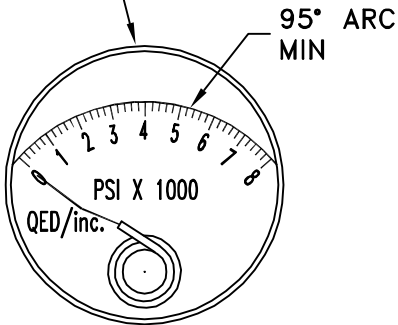
REVISIONS			
LTR	DESCRIPTION	DATE	APPROVED



$\phi .070 \pm .005$   
2 PL 180° APART

.437-20 UNJF-3A  
(MS33656 STYLE E  
EXCEPT AS SHOWN)

FLUSH BUTYL RUBBER PLUG  
(PRESSURE RELIEF DEVICE)



NAME PLATE, ORIENTATION  
OPTIONAL DO NOT COVER  
RUBBER PLUG

### SPECIFICATIONS

- PRESSURE RANGE: 0 - 8000 PSI
- ACCURACY:  $\pm 250$  PSI FROM  $-65^{\circ}\text{F}$  TO  $+250^{\circ}\text{F}$
- PROOF PRESSURE: 10,800 PSI
- ROTATIONAL MOVEMENT OF SIGHT GLASS WITHIN GAUGE BODY IS ACCEPTABLE, AXIAL AND LATERAL MOVEMENT IS NOT ACCEPTABLE.
- BOURDON TUBE IS DAMPENED WITH SILICONE GEL

### MATERIALS

- CASE: ALUMINUM ALLOY, BLACK ANODIZED
- FITTING: 303 ST. STEEL
- BOURDON TUBE: INCONEL X-750
- CRYSTAL: TEMPERED GLASS
- DIAL: ALUMINUM ALLOY, BLACK ANODIZED
- COIL SUPPORT POST: TEFLON
- PRESSURE RELIEF DEVICE: BUTYL RUBBER

THIS DOCUMENT IS THE PROPERTY OF QED/INC. AND IS CONVEYED WITH THE EXPRESS CONDITION THAT IT AND THE INFORMATION CONTAINED IN IT ARE NOT TO BE USED, DISCLOSED, OR REPRODUCED IN WHOLE OR IN PART, FOR ANY PURPOSE WITHOUT THE EXPRESS WRITTEN CONSENT OF QED/INC., AND THAT NO RIGHT IS GRANTED TO DISCLOSE OR SO USE ANY INFORMATION CONTAINED IN SAID DOCUMENT. THIS DOCUMENT MAY CONTAIN INFORMATION SUBJECT TO THE ITAR OR THE EAR. THIS INFORMATION MAY NOT BE EXPORTED, RELEASED, OR DISCLOSED TO FOREIGN NATIONALS OR NON-U.S. PERSONS WITHOUT FIRST COMPLYING WITH THE EXPORT REQUIREMENTS OF THE ITAR AND EAR.

NEXT ASSY	USED ON
APPLICATION	

UNLESS OTHERWISE SPECIFIED DIMENSIONS ARE IN INCHES DECIMALS      FRACTIONS	SIGNATURES	DATE
	BY	2/01
	CKD	
	ENGR	
MATL:		
FINISH		


QED/inc.		2920 SOUTH HALLADAY STREET SANTA ANA, CALIFORNIA 92705	
TITLE <b>PRESSURE GAUGE</b>			
SIZE <b>B</b>	CODE IDENT NO. <b>24708</b>	DWG NO. <b>1218 SERIES TYPE BF5</b>	
SCALE 2=1	WT.	SHEET	1 OF 1