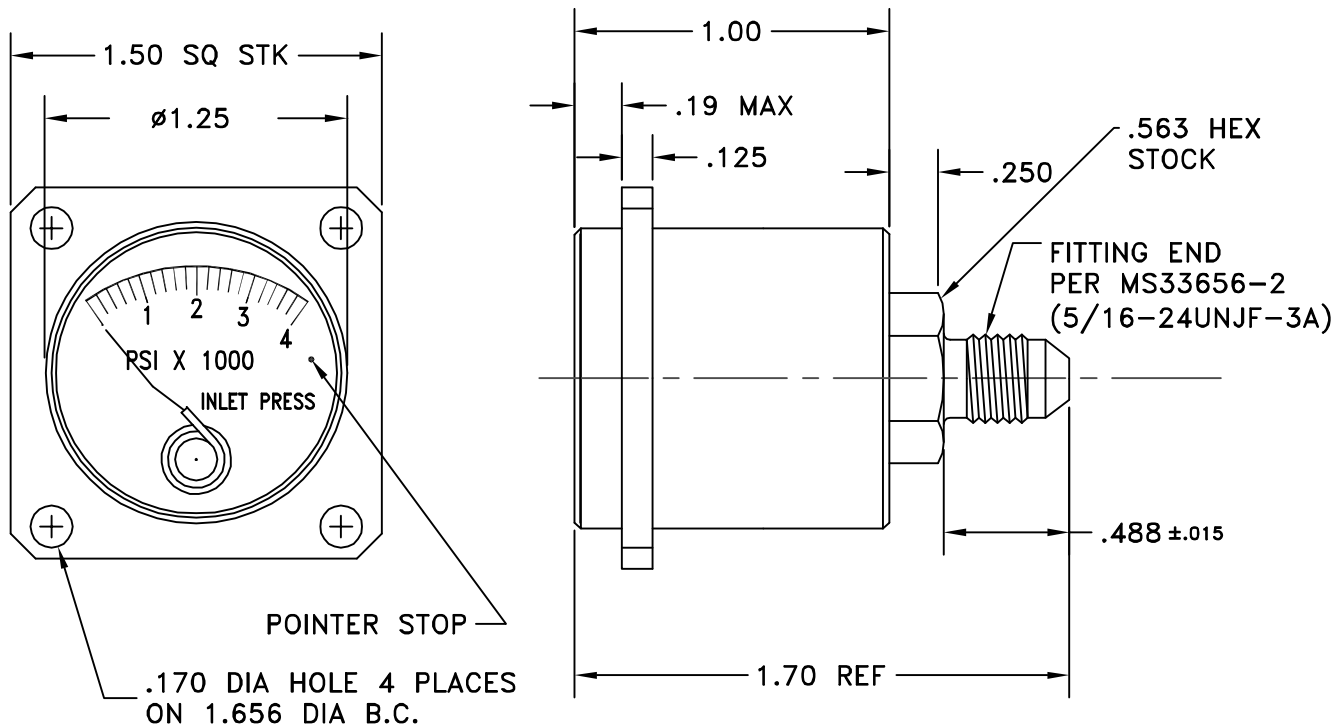


REVISIONS			
LTR	DESCRIPTION	DATE	APPROVED



SPECIFICATIONS

1. PRESSURE RANGE: 0 - 4000 PSI
2. PROOF PRESSURE: 6000 PSI
3. ACCURACY: ± 200 PSI

MATERIALS

1. CASE: ALUMINUM ALLOY, BLACK ANODIZED
2. FITTING: 303 CRES
3. BOURDON TUBE: INCONEL X-750
4. CRYSTAL: TEMPERED GLASS

DESIGN CRITERIA

1. OPERATING TEMPERATURE: -65°F TO +275°F
2. OPERATING MEDIA: AIR OR NITROGEN

FEATURES

1. DIAL: ALUMINUM, PAINTED WHITE
2. DIAL MARKINGS: BLACK

THIS DOCUMENT IS THE PROPERTY OF QED/INC. AND IS CONVEYED WITH THE EXPRESS CONDITION THAT IT AND THE INFORMATION CONTAINED IN IT ARE NOT TO BE USED, DISCLOSED, OR REPRODUCED IN WHOLE OR IN PART, FOR ANY PURPOSE WITHOUT THE EXPRESS WRITTEN CONSENT OF QED/INC., AND THAT NO RIGHT IS GRANTED TO DISCLOSE OR SO USE ANY INFORMATION CONTAINED IN SAID DOCUMENT. THIS DOCUMENT MAY CONTAIN INFORMATION SUBJECT TO THE ITAR OR THE EAR. THIS INFORMATION MAY NOT BE EXPORTED, RELEASED, OR DISCLOSED TO FOREIGN NATIONALS OR NON-U.S. PERSONS WITHOUT FIRST COMPLYING WITH THE EXPORT REQUIREMENTS OF THE ITAR AND EAR.

UNLESS OTHERWISE SPECIFIED
 DIMENSIONS ARE IN INCHES
 DECIMALS FRACTIONS
 .X ± ±
 .XX ± .03 ANGLES ±
 .XXX ± .010 ±

		SIGNATURES		DATE		QED/inc. 2920 SOUTH HALLADAY STREET SANTA ANA, CALIFORNIA 92705	
		BY		2/01		TITLE	
		CKD				PRESSURE GAUGE	
		ENGR					
		APPD					
NEXT ASSY		USED ON		SIZE		CODE IDENT NO.	
APPLICATION				B		24708	
		FINISH		DWG NO.		1218 SERIES TYPE BF3	
				SCALE		NONE	
				WT.		SHEET 1 OF 1	