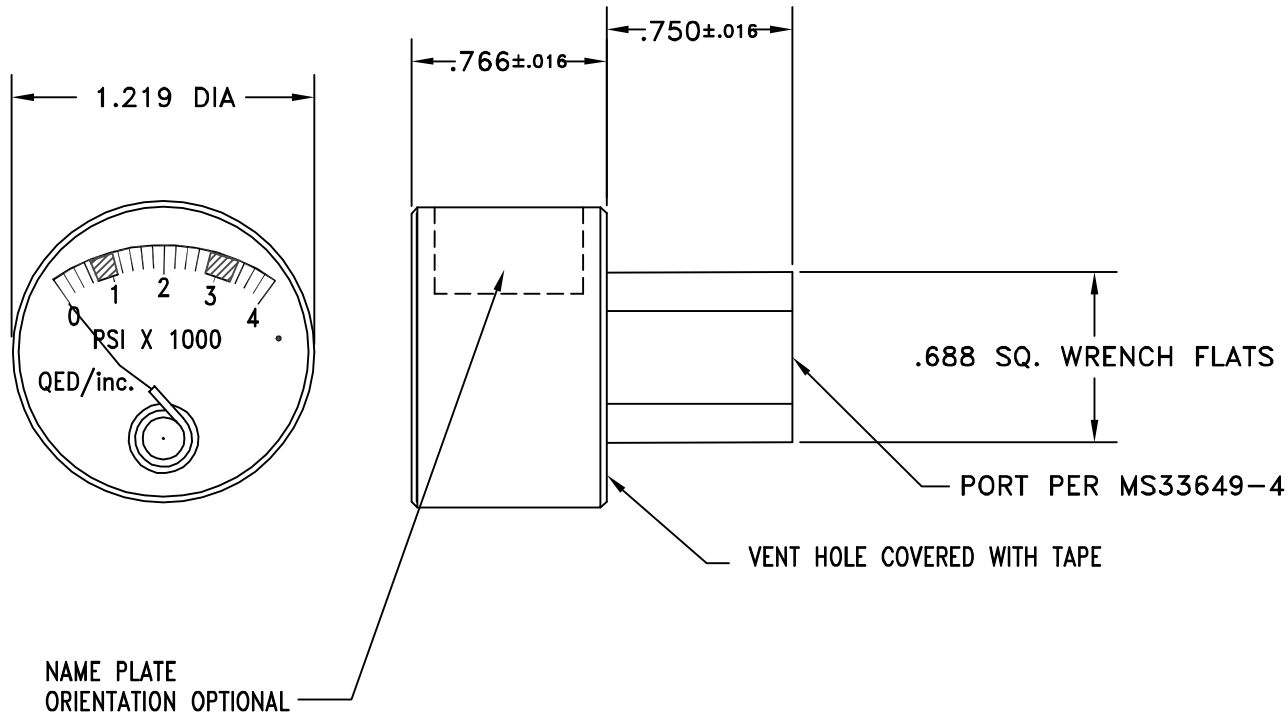


REVISIONS			
LTR	DESCRIPTION	DATE	APPROVED



## SPECIFICATIONS

1. ACCURACY: ±160 PSI
2. PROOF PRESSURE: 5400 PSI
3. FLUID: DRY AIR, DRY NITROGEN, OR HYDRAULIC FLUID PER MIL-H-5606

## MATERIALS

1. CASE: ALUMINUM ALLOY, ANODIZED BLACK
2. FITTING: 303 CRES
3. SPACER: ALUMINUM ALLOY, ANODIZED BLACK
4. BOURDON TUBE: INCONEL X-750 PER AMS-5582
5. DIAL MARKINGS: BLACK CHARACTERS, COLOR 37038 OR EQUIVALENT; WHITE BACKGROUND, COLOR 37875 OR EQUIVALENT; GREEN RADIALS, COLOR 38901 OR EQUIVALENT (FROM 700 TO 1100 PSI AND FROM 2800 TO 3300 PSI), COLORS PER FED-STD-595
6. CRYSTAL: TEMPERED GLASS

## CRITERIA

1. BURST: 12000 PSI (MINIMUM)
2. AMBIENT TEMP: -65°F TO +250°F

THIS DOCUMENT IS THE PROPERTY OF QED/INC. AND IS CONVEYED WITH THE EXPRESS CONDITION THAT IT AND THE INFORMATION CONTAINED IN IT ARE NOT TO BE USED, DISCLOSED, OR REPRODUCED IN WHOLE OR IN PART, FOR ANY PURPOSE WITHOUT THE EXPRESS WRITTEN CONSENT OF QED/INC., AND THAT NO RIGHT IS GRANTED TO DISCLOSE OR SO USE ANY INFORMATION CONTAINED IN SAID DOCUMENT. THIS DOCUMENT MAY CONTAIN INFORMATION SUBJECT TO THE ITAR OR THE EAR. THIS INFORMATION MAY NOT BE EXPORTED, RELEASED, OR DISCLOSED TO FOREIGN NATIONALS OR NON-U.S. PERSONS WITHOUT FIRST COMPLYING WITH THE EXPORT REQUIREMENTS OF THE ITAR AND EAR.

NEXT ASSY	USED ON
APPLICATION	

UNLESS OTHERWISE SPECIFIED DIMENSIONS ARE IN INCHES DECIMALS FRACTIONS
.X ± .03 ANGLES ±
.XXX±.010 ±
MATL: SEE SPECS
FINISH SEE SPECS

SIGNATURES	DATE
BY	2/01
CKD	
ENGR	
APPD	

QED/inc.		2920 SOUTH HALLADAY STREET SANTA ANA, CALIFORNIA 92705	
TITLE PRESSURE GAUGE			
SIZE B	CODE IDENT NO. 24708	DWG NO. 1218	SERIES TYPE BF2
SCALE 2=1	WT.	SHEET 1	OF 1