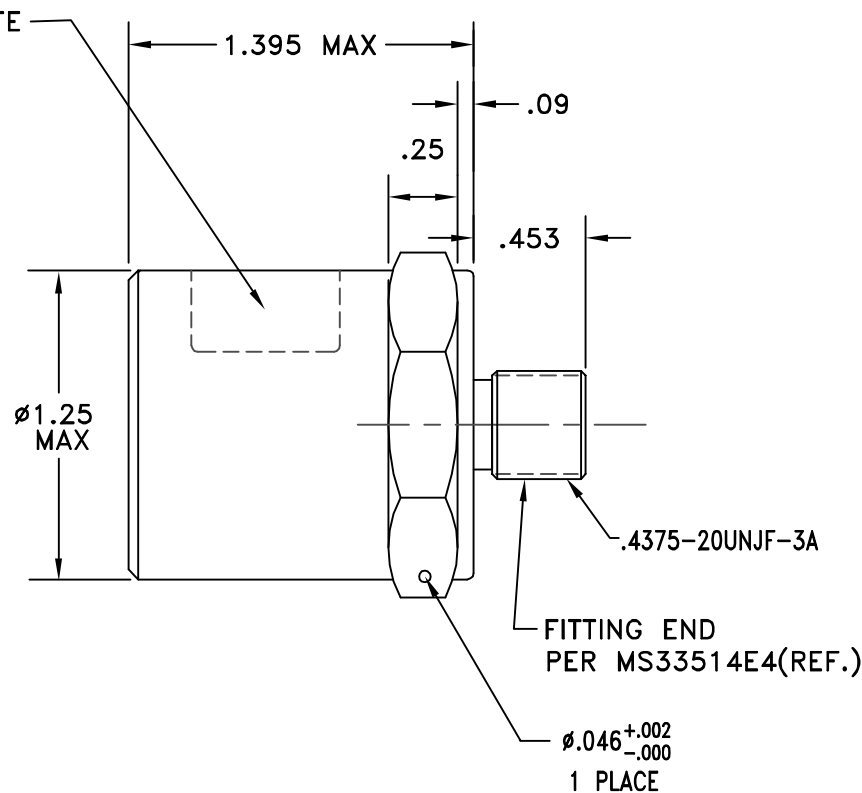
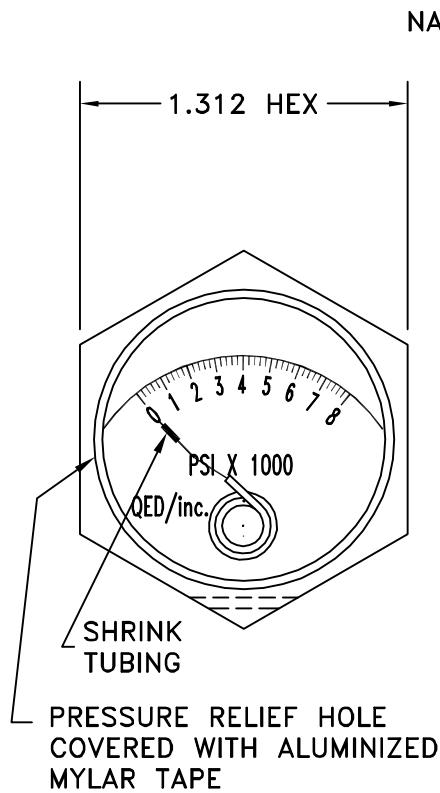


REVISIONS			
LTR	DESCRIPTION	DATE	APPROVED



SPECIFICATIONS

1. ACCURACY: ± 100 PSIG BETWEEN 0 AND 8000 PSIG
2. PROOF PRESSURE: 10800 PSIG
3. DIAL RANGE: 0 TO 8000 PSIG
4. APPLY QED # 86-004-00 TO COIL
5. ACCEPTANCE TEST PER QED REPORT NUMBER 100601
6. SERIALIZE USING PERMANENT MARKING METHOD.

MATERIALS

1. CASE: 303 CRES, PASSIVATED PER QQ-P-35
2. FITTING: 17-4PH, PASSIVATED PER QQ-P-35 HEAT TREATED PER H-1075
3. BOURDON TUBE: INCONEL X-750
4. CRYSTAL: TEMPERED GLASS
5. DIAL: ALUMINUM ALLOY, CLEAR ANODIZED BLACK FIGURES ON WHITE BACKGROUND
6. SHRINK TUBING: TEFLON PER MIL-I-23053/5-201C (CLASS II, CLEAR)

CRITERIA

1. BURST PRESSURE: 15000 PSIG
2. WEIGHT: .20 POUNDS MAXIMUM
3. TEMPERATURE: OPERATING = -40° TO $+120^{\circ}$ F
NON-OPERATING = -65° TO $+185^{\circ}$ F

THIS DOCUMENT IS THE PROPERTY OF QED/INC. AND IS CONVEYED WITH THE EXPRESS CONDITION THAT IT AND THE INFORMATION CONTAINED IN IT ARE NOT TO BE USED, DISCLOSED, OR REPRODUCED IN WHOLE OR IN PART, FOR ANY PURPOSE WITHOUT THE EXPRESS WRITTEN CONSENT OF QED/INC., AND THAT NO RIGHT IS GRANTED TO DISCLOSE OR SO USE ANY INFORMATION CONTAINED IN SAID DOCUMENT. THIS DOCUMENT MAY CONTAIN INFORMATION SUBJECT TO THE ITAR OR THE EAR. THIS INFORMATION MAY NOT BE EXPORTED, RELEASED, OR DISCLOSED TO FOREIGN NATIONALS OR NON-U.S. PERSONS WITHOUT FIRST COMPLYING WITH THE EXPORT REQUIREMENTS OF THE ITAR AND EAR.

UNLESS OTHERWISE SPECIFIED
DIMENSIONS ARE IN INCHES
DECIMALS FRACTIONS
.X \pm \pm
.XX \pm ANGLES \pm
.XXX \pm \pm

SIGNATURES	DATE
BY	2/01
CKD	
ENGR	
APPD	

QED/inc. 2920 SOUTH HALLADAY STREET
SANTA ANA, CALIFORNIA 92705

TITLE		
PRESSURE GAUGE		
SIZE	CODE IDENT NO.	DWG NO.
B	24708	1218 SERIES TYPE BF1
SCALE	2=1	WT. 1 OF 1

NEXT ASSY	USED ON
APPLICATION	