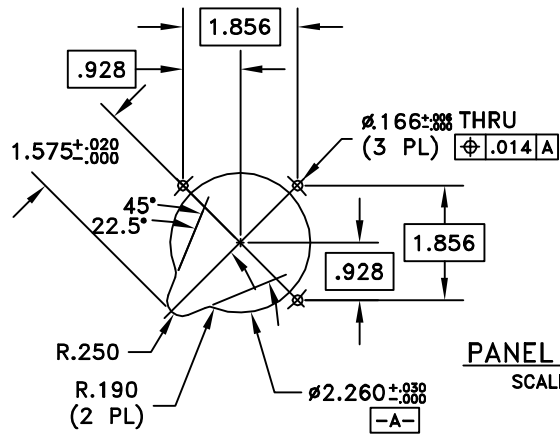
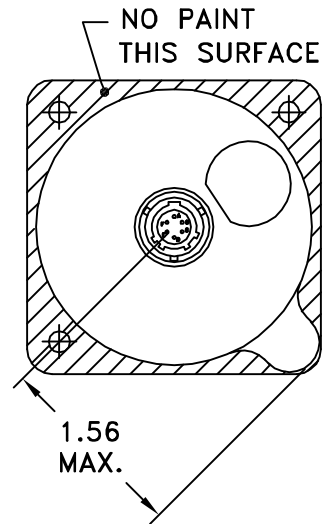
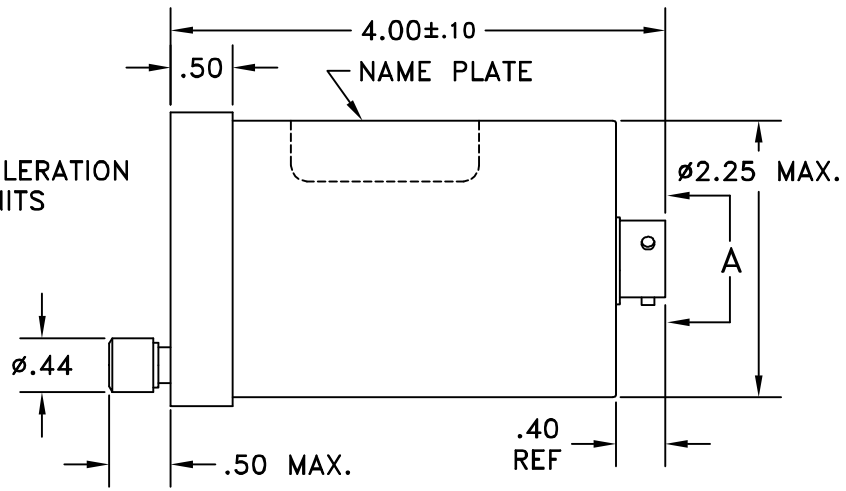
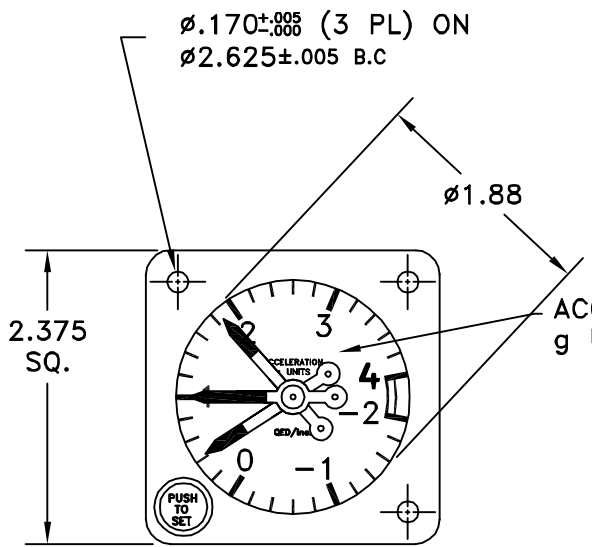
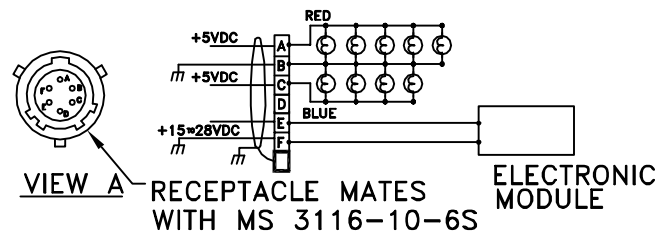


REVISIONS			
LTR	DESCRIPTION	DATE	APPROVED
B	SEE DCN	01/27/10	MP
C	SEE DCN	09/22/10	MP



PANEL CUTOUT
SCALE: .5=1



1. PAINT DURABLE DULL BLACK REF. COLOR #37038 OF FED-STD-595. EXCEPT ON SURFACE INDICATED.

NOTES

EAR DOCUMENT
THESE COMMERCIAL ITEMS ARE SUBJECT TO THE EXPORT CONTROLS OF THE U.S. GOVERNMENT, AND MAY NOT BE EXPORTED TO A FOREIGN PERSON WITHOUT THE WRITTEN APPROVAL OF THE U.S. DEPARTMENT OF COMMERCE.
THIS DOCUMENT IS THE PROPERTY OF QED/INC. AND IS CONVEYED WITH THE EXPRESS CONDITION THAT IT AND THE INFORMATION CONTAINED IN IT ARE NOT TO BE USED, DISCLOSED, OR REPRODUCED IN WHOLE OR IN PART, FOR ANY PURPOSE WITHOUT THE EXPRESS WRITTEN CONSENT OF QED/INC., AND THAT NO RIGHT IS GRANTED TO DISCLOSE OR SO USE ANY INFORMATION CONTAINED IN SAID DOCUMENT.

UNLESS OTHERWISE SPECIFIED DIMENSIONS ARE IN INCHES DECIMALS FRACTIONS X ± ± .XX ±.016 ANGLES ± .XXX±.005 ±	SIGNATURES	DATE	QED/inc. 2920 SOUTH HALLADAY STREET SANTA ANA, CALIFORNIA 92705	
	BY AFS	03/17/09	TITLE ACCELEROMETER ELECTRONIC/ANALOG	
MATL:	ENGR LMP	03/17/09	SIZE B	CODE IDENT NO. 24708
FINISH	APPD		DWG NO. 3004-50-500	
SCALE 1:1		WT.	SHEET 1 OF 2	

